

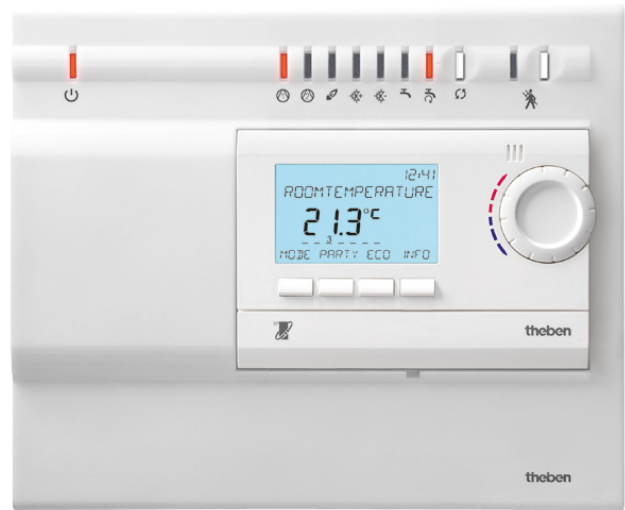
RAMSES 856 top2 OT

Item no.: 8569132

Climate control
Clock thermostats

Description

- Digital heating control for time-dependent monitoring and control of room temperature
- Open Therm heating controller for 2 or 3 point control, weather-dependent, service water and circulation control
- Automatic sensor recognition for weather- or room-dependent control; can be switched manually at any time
- 3 different weekly programs
- 3 comfort and 2 reduced temperatures can be allocated to each phase
- INFO button for the most important data
- Additional switching program for domestic hot water utilisation times
- Adjustable service water storage temperature, programmable legionella protection
- Party/ECO program
- Chimney sweeping function with push button OT box
- Minimum boiler temperature can be set
- 2 heating curves can be set for 2 heating circuits
- 2-stage burner control option
- Holiday program with reduced temperature or date-controlled heating phase can be programmed e. g. for holiday homes
- USB interface for modem
- Automatic summer/winter time adjustment
- Boiler/feed temperature (control circuit 1) controlled by switching the burner
- Control of feed temperature (control circuit 2) via pump control or motor-controlled mixer
- 3-point controller with feed sensor
- Time- and temperature-dependent control of hot water circulation pump.
- Pump protection function
- Inputs: External sensor (contained in set), feed sensor heating circuit (contained in set), contact or immersion sensor for domestic hot water, contact sensor for circulation
- Elapsed-time counter for recording relay switching times e.g. burner operating time
- Adjustable reminder function for heater maintenance



Technical data

	RAMSES 856 top2 OT
Operating voltage	230 V AC
Frequency	50 Hz
Type of contact	NO contact
Installation type	Wall installation

	RAMSES 856 top2 OT
Switching capacity	5 x 5 (1) A Relay, 2 x 1 (1) A Relay
Setting range temperature	6°C ... 30°C
Setting range frost protection	6°C ... 15°C
Flow temperature limit	40°C ... 90°C

Subject to technical changes and misprints

additional information at: www.theben.de/product/8569132

The load data are determined with exemplary selected illuminants and are therefore typical data due to the large number of available products.

RAMSES 856 top2 OT

Item no.: 8569132

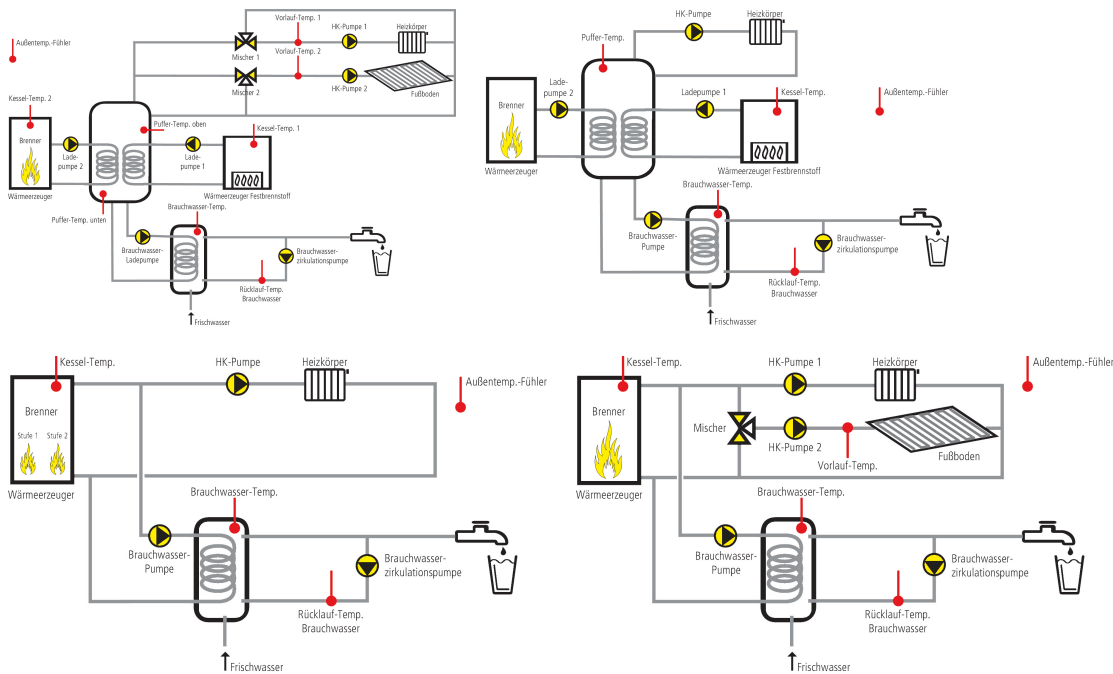


Technical data

RAMSES 856 top2 OT	
Type of connection	2-way conductor (BUS) room controller
Program	Weekly program, Daily program
Number of memory locations	42, max. 24 per program
Switching hysteresis	$\pm 2 - \pm 20$ K
Mixer runtime	2 – 10 min
Suitable for SELV	No

RAMSES 856 top2 OT	
Control types	2 or 3 point
Mode of operation	Type 1 B as per EN 60730-1
Power reserve	4 hours
Stand-by consumption	~1.1 W
Type of protection	IP 20
Protection class	II according to EN 60730-1

Connection example



Subject to technical changes and misprints

additional information at: www.theben.de/product/8569132

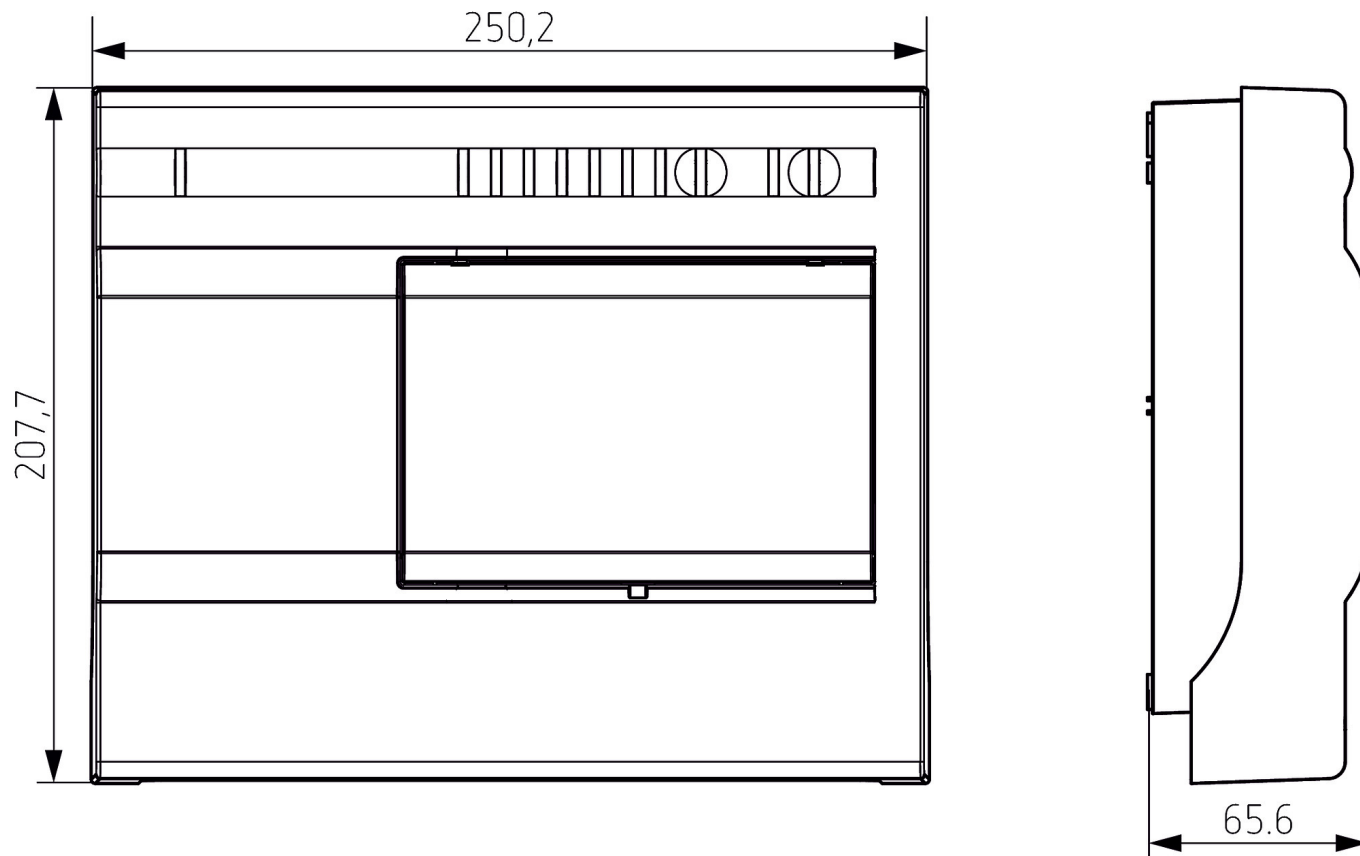
The load data are determined with exemplary selected illuminants and are therefore typical data due to the large number of available products.

RAMSES 856 top2 OT

Item no.: 8569132

theben

Scale drawings

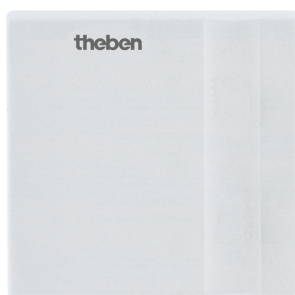


Accessories

Flow temperature sensor RAMSES
Item no.: 9070371



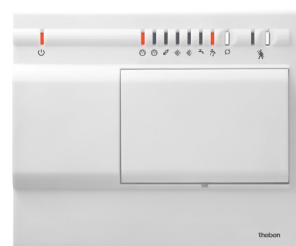
Temperature sensor RAMSES IP
65
Item no.: 9070459



Plunge sensor RAMSES
Item no.: 9070379



OT-Box Standard
Item no.: 9070712



Subject to technical changes and misprints

additional information at: www.theben.de/product/8569132

The load data are determined with exemplary selected illuminants and are therefore typical data due to the large number of available products.